

QDDC-300-2000-1K-50-N

0.3~2GHz, 1000W, 50dB

Features:

* Low Insertion Loss

Applications:

- * Amplifiers
- * Transmitter
- * Laboratory Test
- * Radar

Electrical

| | |
|-----------------|------------|
| Frequency: | 0.3~2GHz |
| Insertion Loss: | 0.5dB max. |
| Coupling: | 50±2dB |
| Directivity: | 16dB min. |
| VSWR(Mainline): | 1.15 max. |
| Average Power: | 1000W |

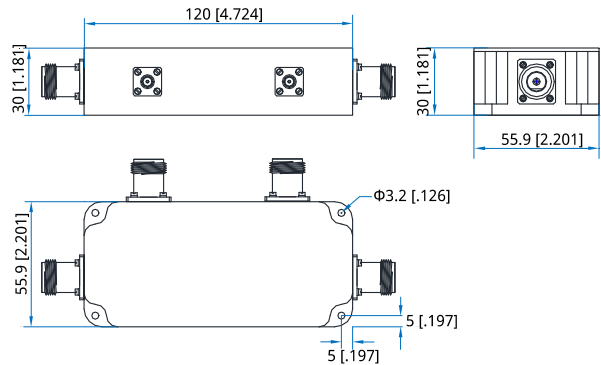
Mechanical

| | |
|-------------|--------------------------------------|
| Size*1: | 120*55.9*30mm 4.724*2.201*1.181in |
| Connectors: | N Female |
| Mounting: | 4-Φ3.2mm through-hole |

[1] Exclude connectors

Environmental

| | |
|-----------------------|------------|
| Temperature: | -45~+100°C |
| Extended Temperature: | -55~+100°C |

Outline Drawings


Unit: mm [in]

Tolerance: ±0.3mm [±0.012in]

How To Order

QDDC-300-2000-1K-50-N

Customization is available upon request.